



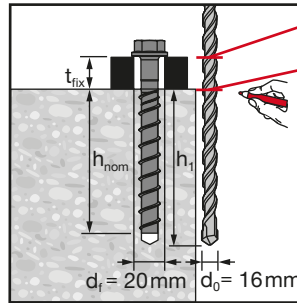
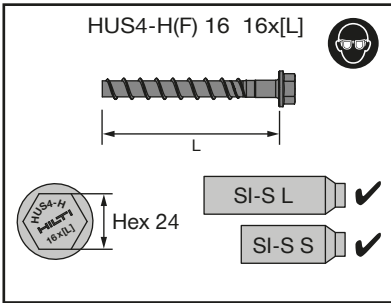
HUS4-H(F) 16 G02



2472766-2025.08.07

CE
 25
 Hilti AG
 LI-9494 Schaan
 Hilti Werke
 2873-CPR-201-72
 ETA-20/0867
 Notified body 2873
 EAD 330232-01-0601
 Product for fixing to or
 connecting/supporting
 of building structures
 www.hilti.group

	①		①
HUS4-H 16×100 15/-/-	✓	HUS4-HF 16×100 15/-/-	✓
HUS4-H 16×120 35/10/-	✓	HUS4-HF 16×120 35/10/-	✓
HUS4-H 16×140 55/30/10	✓	HUS4-HF 16×140 55/30/10	✓
HUS4-H 16×165 80/55/35	✓	HUS4-HF 16×165 80/55/35	✓
HUS4-H 16×185 100/75/55	✓	HUS4-HF 16×185 100/75/55	✓
HUS4-H 16×205 120/95/75	✓	HUS4-HF 16×205 120/95/75	✓



! $\geq h_1 + t_{fix}$
 ! $\geq h_1$

	h_{nom} [mm]
	≥ 85

	$h_1 \geq h_{nom} + 40$ mm	2a	+ 10 mm	4
	$h_1 \geq h_{nom} + 10$ mm	2b	+ 10 mm	4
	$h_1 \geq h_{nom} + 10$ mm			

SIW 6AT-22	✓	3a
SIW 6AT-22 + SI-AT-22 (AT Module)	✓	3b
SIW 6AT-A22, SIW 4AT-22	✗	
SIW 6-22	✓	3a
SIW 22T-A	✓	3a
SIW 8-22	✓	3a
SIW 9-A22	✓	3a
SIW 10-22	✓	3a

